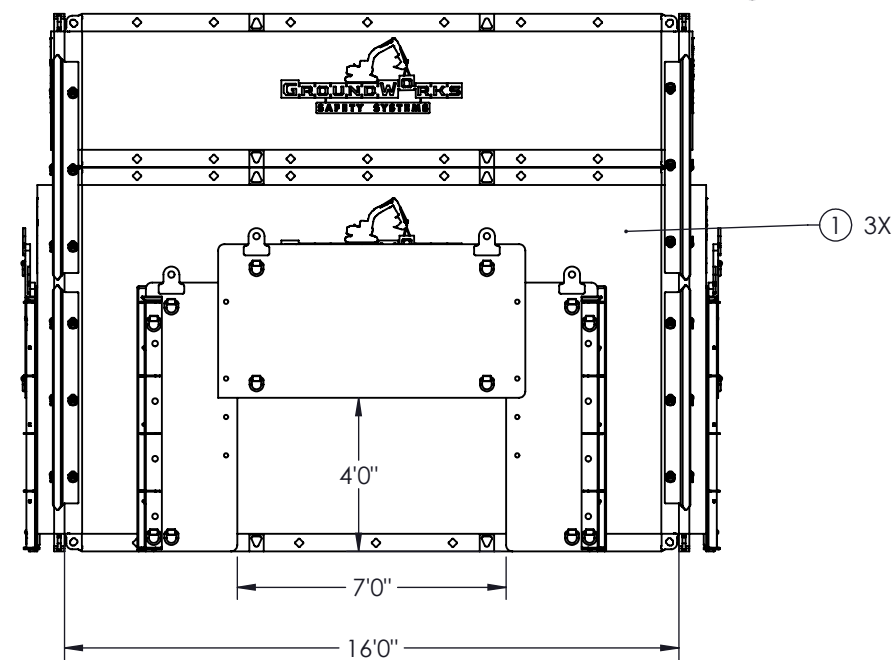
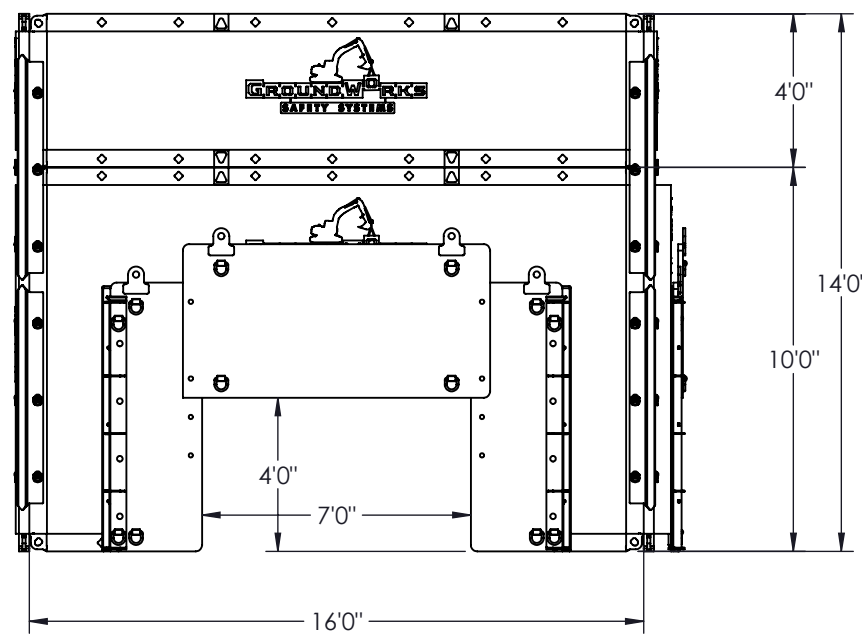
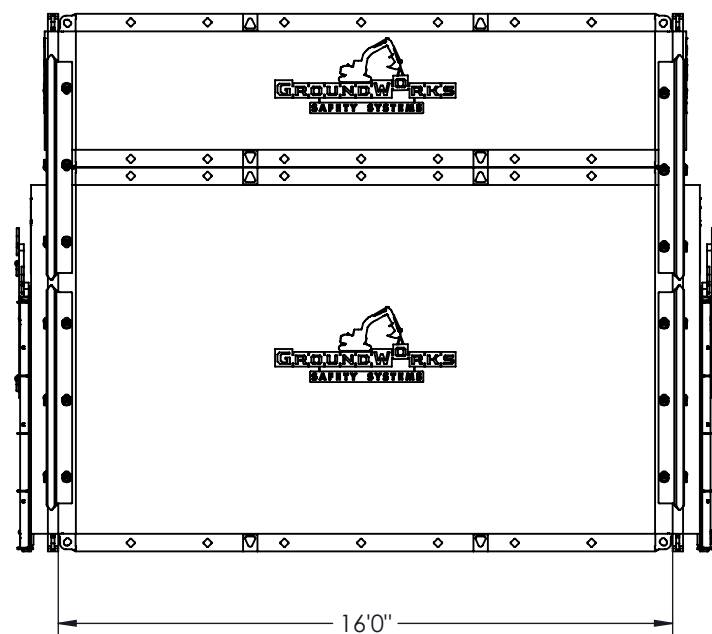
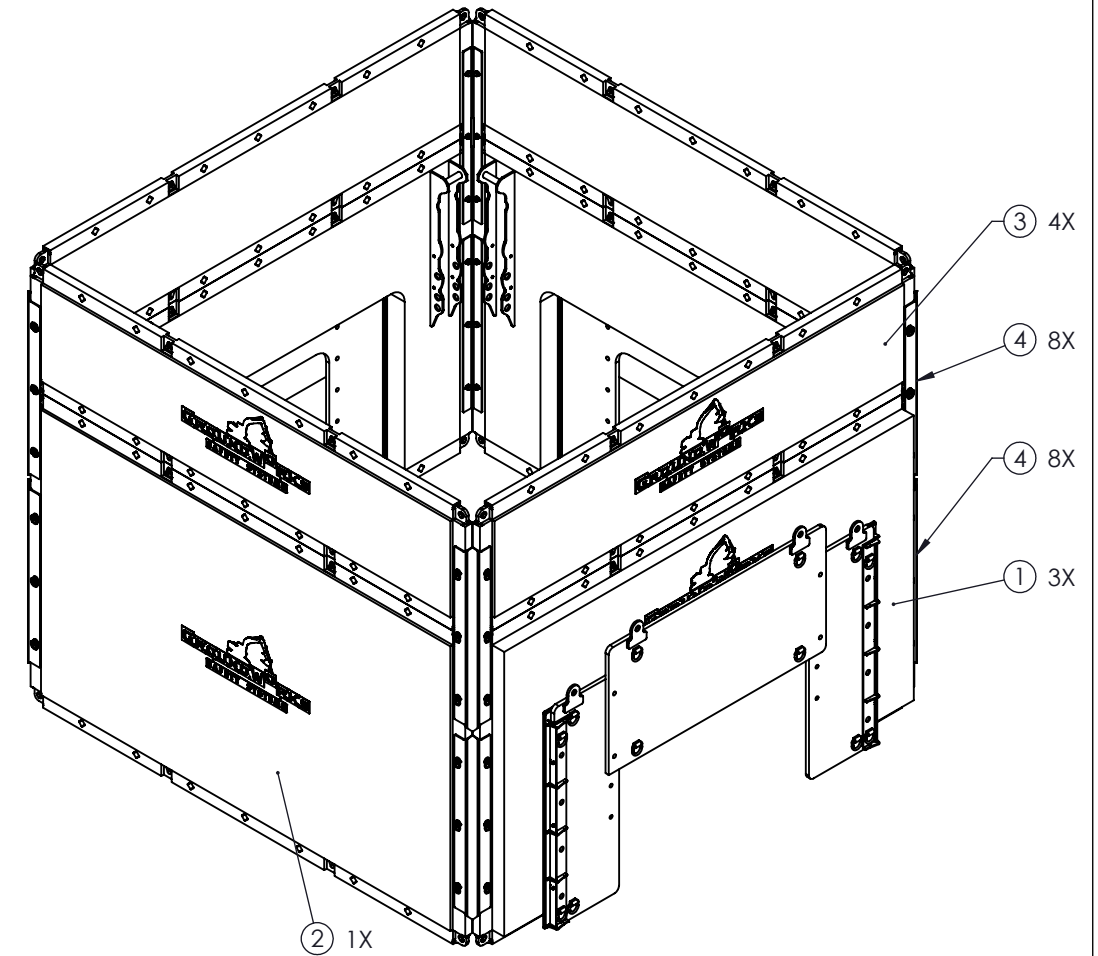
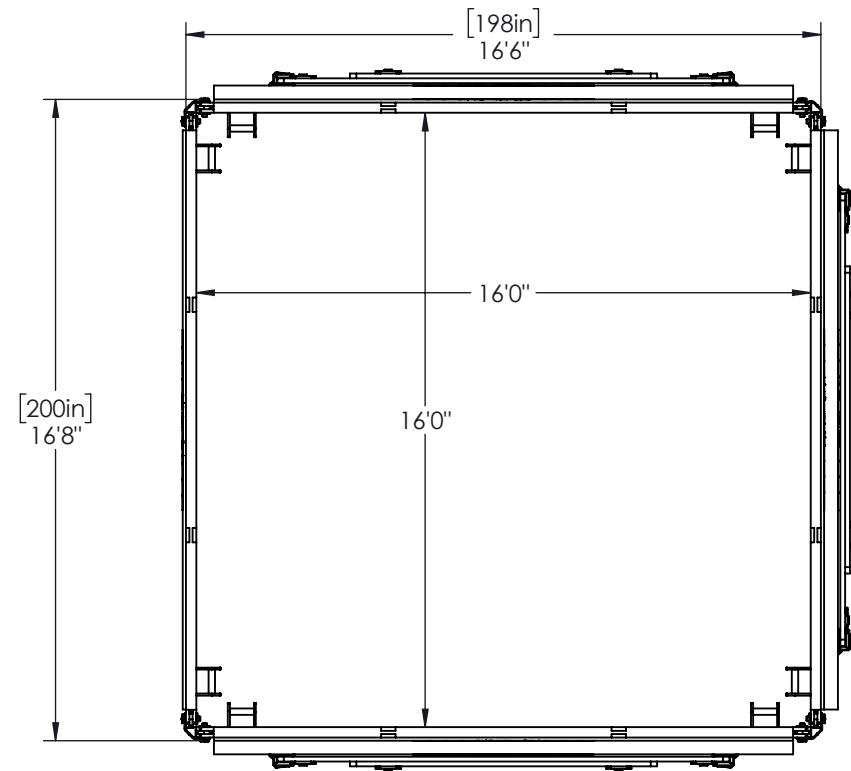


ITEM	Part Config	DESCRIPTION	Config	QTY.	Weight
1	HMG-1016-132	10'x16' Heavy Duty Gate Panel	HM10X16 GATE	3	9090
2	MMB-1016	10'x16' Medium Duty Panel	MM 10X16	1	3710
3	MMB-0416	4'x16' Medium Duty Panel	MM 4X16	4	1420
4	AMB22-6	6-Foot Corner Connectors	6 PIN	8	330



4207 53rd Street Close, Innisfail, Alberta, T4G 1P9

DWG TITLE:
MM 10X16 16LX16WX14_4S GGG

NOTICE OF CONFIDENTIALITY:
INFORMATION INCLUDED IN THIS DRAWING IS PROPRIETARY, AND IS NOT TO BE REPRODUCED, DISTRIBUTED, OR DISCLOSED EXCEPT AS SPECIALLY AUTHORIZED IN WRITING BY GROUNDWORKS SAFETY SYSTEMS INC.

SCALE: 1:60
DATE: 2025-04-07
WEIGHT: 39300 lbs